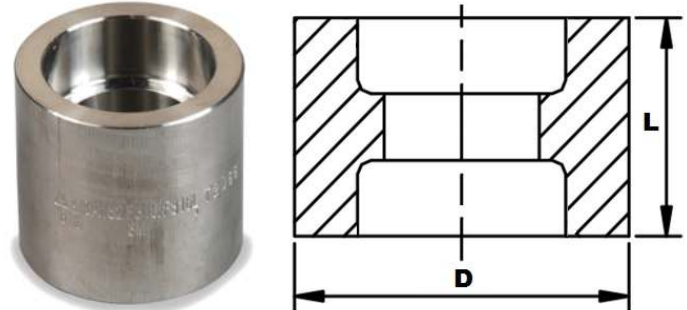


Socket Weld 3000LB Full Coupling



Part Number	Nominal Pipe Size	Rating	D	L	Weight Kg/Pce
008SW3KFC	1/4"	3000 PSI	20.7	26	0.050
010SW3KFC	3/8"	3000 PSI	24.6	26	0.060
015SW3KFC	1/2"	3000 PSI	30.0	30	0.115
020SW3KFC	3/4"	3000 PSI	36.0	36	0.180
025SW3KFC	1"	3000 PSI	44.1	39	0.250
032SW3KFC	1 1/4"	3000 PSI	53.5	39	0.400
040SW3KFC	1 1/2"	3000 PSI	60.0	39	0.480
050SW3KFC	2"	3000 PSI	73.2	51	0.800

*Grade 316

*Dimensions to ANSI B16.11/BS3799

*Dimensions in MM

*Larger sizes are available to order

*Dimensions are for guidance only – Please call to confirm if critical!